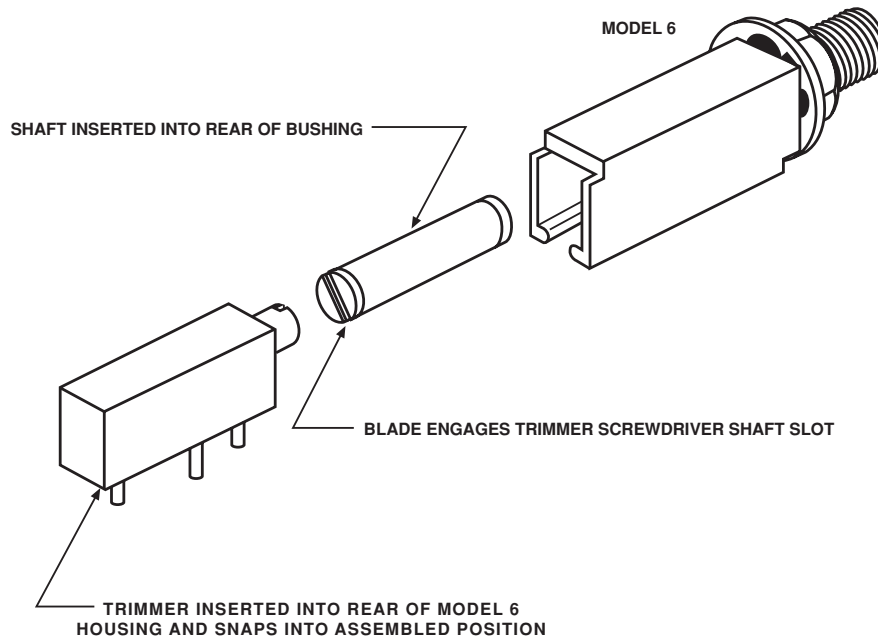


Snap-On Panel Mount Adapters

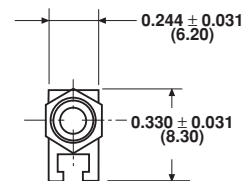
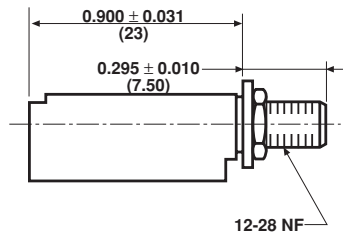
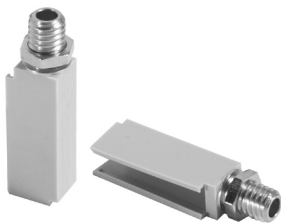
Vishay Spectrol's standard 3/4" and 1 - 1/4" rectangular trimming potentiometers, the Models 43 and 70, may be easily panel mounted through the use of Vishay Spectrol Model 6 panel mount adapters. The adapters are designed to convert these standard trimmer models into panel mount trimmers in a quick, convenient, and economical manner. Assembly with the trimmer is accomplished by snap-in, providing for minimal installation time.



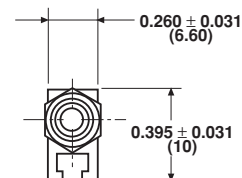
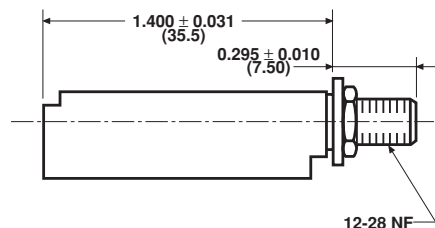
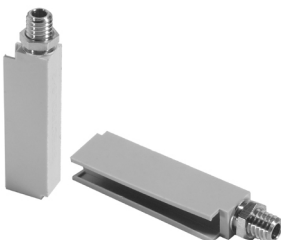
DIMENSIONS in millimeters

ACTUAL SIZES

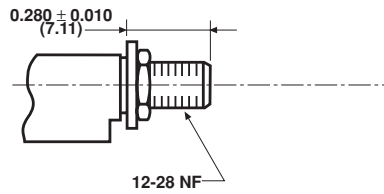
6-1-0



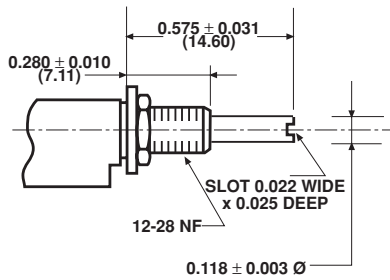
6-2-0



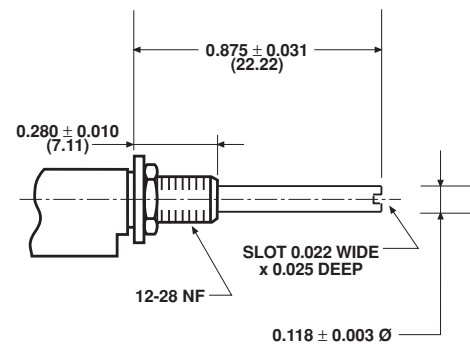
AVAILABLE SHAFT CONFIGURATIONS



6-1-2



6-1-3



SHAFT DIMENSIONS APPLY TO 6-1-X AND 6-2-X VERSION

MECHANICAL SPECIFICATIONS

- Construction** Molded polyester plastic
- Bushing Material** Brass nickel plated
- Bushing Hardware** Panel nut and lock washer
- Shafts Available (Inches)** (1) Flush (2) 0.575 (3) 0.875

See photos and drawings for additional information

PACKAGING

Box of 100 pieces

ORDERING INFORMATION		
6 MODEL	1 TRIMMER SIZE	2 SHAFT EXTENSION
	1. Fits Vishay Spectrol Model 43 2. Fits Vishay Spectrol Model 70	0. No extra shaft 1. Shaft flush with bushing 2. 0.575 Shaft extension 3. 0.875 Shaft extension

SAP PART NUMBERING GUIDELINES																	
A	C	C	T	R	I	A	D	B	3	0	6	1	2				
MODEL						STYLE		PACKAGING			SPECIAL						
See the end of this data book for conversion tables																	



Notice

Specifications of the products displayed herein are subject to change without notice. Vishay Intertechnology, Inc., or anyone on its behalf, assumes no responsibility or liability for any errors or inaccuracies.

Information contained herein is intended to provide a product description only. No license, express or implied, by estoppel or otherwise, to any intellectual property rights is granted by this document. Except as provided in Vishay's terms and conditions of sale for such products, Vishay assumes no liability whatsoever, and disclaims any express or implied warranty, relating to sale and/or use of Vishay products including liability or warranties relating to fitness for a particular purpose, merchantability, or infringement of any patent, copyright, or other intellectual property right.

The products shown herein are not designed for use in medical, life-saving, or life-sustaining applications. Customers using or selling these products for use in such applications do so at their own risk and agree to fully indemnify Vishay for any damages resulting from such improper use or sale.